

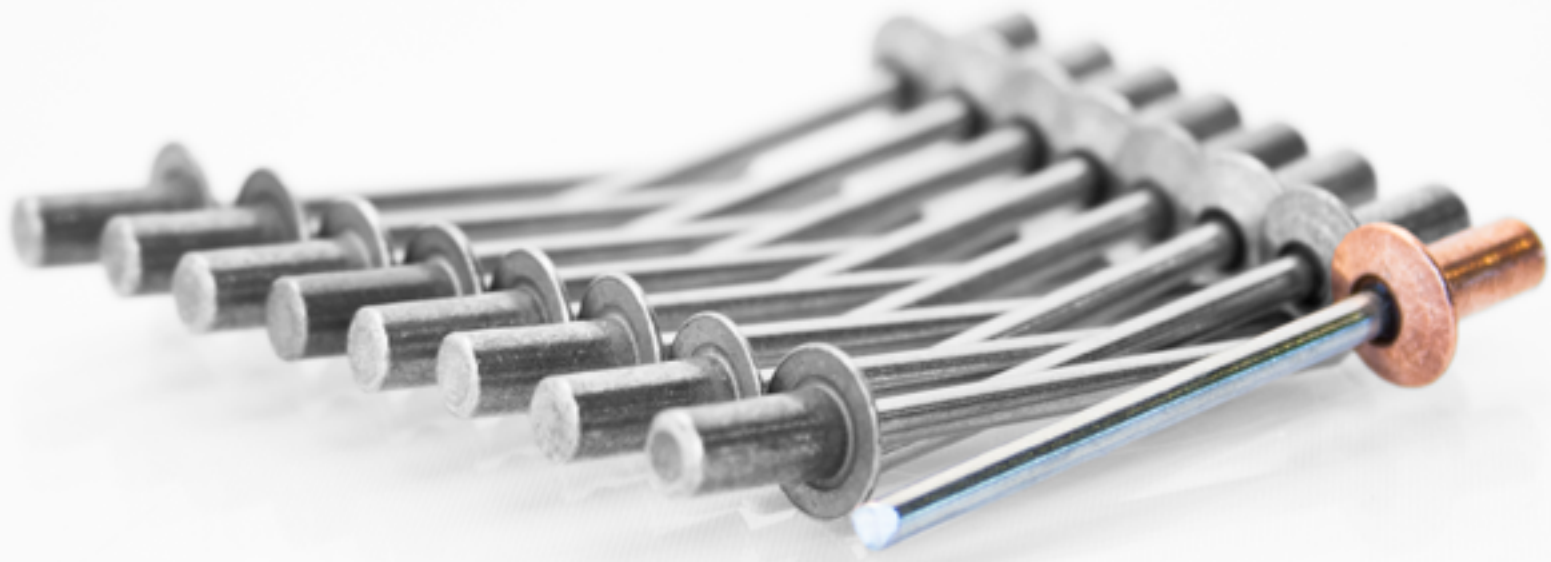
RIVETS

TABLE OF CONTENTS

151 Open rivets

164 Closed rivets

169 Special rivets



ASTON ASTON ASTON

OPEN RIVETS

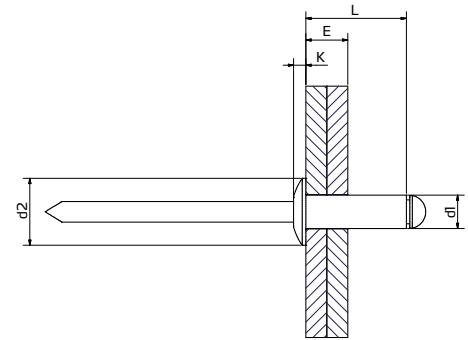
		Page	
SNT DH SAS	-	Open steel rivet (steel mandrel) - dome head	152
SNT DH AAS	-	Open alu rivet (steel mandrel) - dome head	153
SNT DH AAS (34MM)	-	Open alu rivet (steel mandrel) - dome head	153
SNT DH AAS-BH	-	Open alu rivet (steel mandrel) - big head	154
SNT DH AAS-SPLIT	-	Open alu rivet split (steel mandrel) - dome head	155
SNT DH AAS-MG	-	Open alu rivet multigrip (steel mandrel) - dome head	156
SNT DH AAA-BT	-	Open alu rivet BT (alu mandrel) - dome head	157
SNT DH AAX	-	Open alu rivet (stainless mandrel) - dome head	158
SNT DH AAX-BH Ø14	-	Open alu rivet (stainless mandrel) - big head	159
SNT DH AAX-BH Ø16	-	Open alu rivet (stainless mandrel) - big head	159
SNT DH AAX-MG	-	Open alu rivet multigrip (stainless mandrel) - dome head	160
SNT DH XAX-BH	-	Open stainless rivet (stainless mandrel) - big head	161
SNT DH XAX	-	Open stainless rivet (stainless mandrel) - dome head	162
SNT CSH XAX	-	Open stainless rivet (stainless mandrel) - csh head	163



OPEN STEEL RIVET (STEEL MANDREL) - DOME HEAD

SNT DH SAS

- Dome head for an aesthetic finish
- Available in more than 500 colours (QUALICOAT certified powder)



PRODUCT RANGE



MG:05 PG:3030 SNT DH SAS



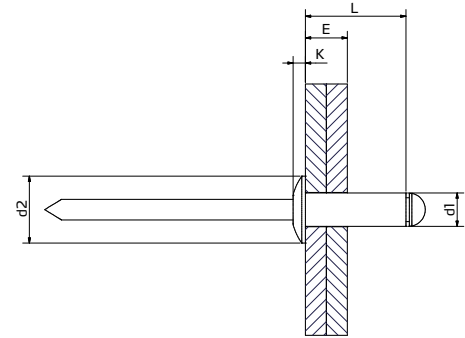
Art.no.	Item name	Diameter (d1) [mm]	Length (L) [mm]	Drill hole [mm]	Head diameter (d2) [mm]	Head height (k) [mm]	Grip range (E) [mm]	Capacity Tensile / Shear [N]	Unit [pcs]
14780	SNT DH SAS 3.2 X 8	Ø3.2	8	Ø3.3	Ø6.5	1.3	3.0 - 5.0	1200 / 1100	1000
14779	SNT DH SAS 3.2 X 10		10				5.0 - 6.5		
18982	SNT DH SAS 3.2 X 12		12				6.5 - 8.0		



OPEN ALU RIVET (STEEL MANDREL) - DOME HEAD

SNT DH AAS

- Dome head for an aesthetic finish
- Item no. 10684 is available with standard colours (wet paint): RAL 3009, RAL 5010, RAL 6003, RAL 7011, RAL 7016, RAL 7024, RAL 7035, RAL 7040, RAL 7044, RAL 8004, RAL 8017, RAL 9002, RAL 9005, RAL 9006, RAL 9007, RAL 9010
- Item no. 10593 is available with standard colours (wet paint): RAL 9005 and RAL 9010
- All item no. from length 8 mm are available in more than 500 colours (QUALICOAT certified powder)



PRODUCT RANGE



MG:05 PG:1030 SNT DH AAS



Art.no.	Item name	Diameter (d1) [mm]	Length (L) [mm]	Drill hole [mm]	Head diameter (d2) [mm]	Head height (k) [mm]	Grip range (E) [mm]	Capacity Tensile / Shear [N]	Unit [pcs]
10592	SNT DH AAS 3.2 X 6	Ø3.2	6	Ø3.3	Ø6.5	1.3	1.5 - 3.5	700 / 500	1000
10684	SNT DH AAS 3.2 X 8		8				3.5 - 5.0		
10593	SNT DH AAS 3.2 X 10		10				5.0 - 7.0		
10594	SNT DH AAS 3.2 X 12		12				7.0 - 9.0		
10595	SNT DH AAS 3.2 X 16		16				9.0 - 13.0		
20235	SNT DH AAS 4.0 X 6	Ø4.0	6	Ø4.1	Ø8.0	1.7	1.0 - 3.0	1200 / 850	1000
20237	SNT DH AAS 4.0 X 8		8				3.0 - 5.0		
10597	SNT DH AAS 4.0 X 10		10				5.0 - 6.5		
10598	SNT DH AAS 4.0 X 12		12				6.5 - 8.5		
15621	SNT DH AAS 4.0 X 16		16				8.5 - 12.5		
15622	SNT DH AAS 4.0 X 20		20				12.5 - 16.5		
20239	SNT DH AAS 4.8 X 6	Ø4.8	6	Ø4.9	Ø9.5	2.0	1.5 - 2.5	1700 / 1200	1000
20241	SNT DH AAS 4.8 X 8		8				2.5 - 4.0		
10600	SNT DH AAS 4.8 X 10		10				4.0 - 6.0		
10601	SNT DH AAS 4.8 X 12		12				6.0 - 8.0		
10602	SNT DH AAS 4.8 X 16		16				8.0 - 12.0		250
15623	SNT DH AAS 4.8 X 20		20				12.0 - 15.0		
10604	SNT DH AAS 4.8 X 25		25				15.0 - 20.0		
10605	SNT DH AAS 4.8 X 30		30				20.0 - 25.0		

MG:05 PG:1030 SNT DH AAS (34MM)

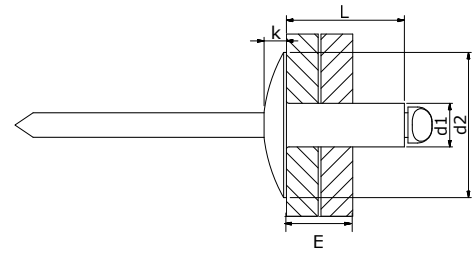


Art.no.	Item name	Diameter (d1) [mm]	Length (L) [mm]	Drill hole [mm]	Head diameter (d2) [mm]	Head height (k) [mm]	Grip range (E) [mm]	Capacity Tensile / Shear [N]	Unit [pcs]
19999	SNT DH AAS 3.2 X 6 (34MM)	Ø3.2	6	Ø3.3	Ø6.5	1.3	1.5 - 3.5	700 / 500	1000
10684	SNT DH AAS 3.2 X 8 (34MM)		8				3.5 - 5.0		

OPEN ALU RIVET (STEEL MANDREL) - BIG HEAD

SNT DH AAS-BH

- Big head for better load distribution, which is an advantage for fastening of soft materials
- Big head rivet is good for applications with thermal movings
- Available in more than 500 colours (QUALICOAT certified powder)



PRODUCT RANGE

◀ STEEL | ALU ▶

MG:05 PG:1040 SNT DH AAS-BH

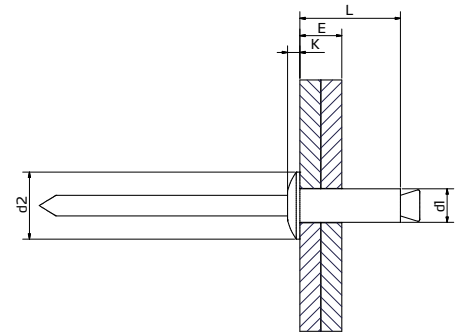


Art.no.	Item name	Diameter (d1) [mm]	Length (L) [mm]	Drill hole [mm]	Head diameter (d2) [mm]	Head height (k) [mm]	Grip range (E) [mm]	Capacity Tensile / Shear [N]	Unit [pcs]
13853	SNT DH AAS-BH 3.2X12 Ø9.5	Ø3.2	12	Ø3.3	Ø9.5	1.3	7.0 - 9.0	700 / 500	500
10607	SNT DH AAS-BH 4.0X10 Ø12	Ø4.0	10	Ø4.1	Ø12.0	1.7	5.0 - 6.5	1200 / 850	500
17113	SNT DH AAS-BH 4.8X16 Ø16	Ø4.8	16	Ø4.9	Ø16	2.0	8.0 - 12.0	1700 / 1200	250
10609	SNT DH AAS-BH 4.8X22 Ø16		22				14.0 - 17.5		

OPEN ALU RIVET SPLIT (STEEL MANDREL) - DOME HEAD

SNT DH AAS-SPLIT

- Dome head for an aesthetic finish
- Especially for use in soft or brittle materials like plastic or glass fibre
- Available in more than 500 colours (QUALICOAT certified powder)



PRODUCT RANGE

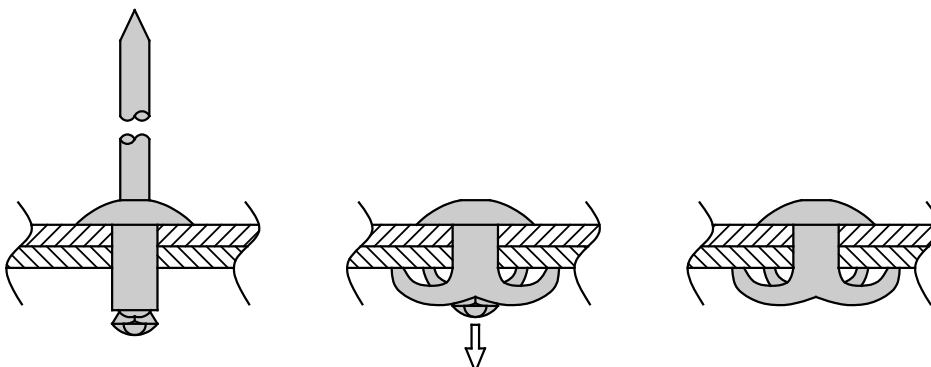


MG:05 PG:1050 SNT DH AAS-SPLIT



Art.no.	Item name	Diameter (d1) [mm]	Length (L) [mm]	Drill hole [mm]	Head diameter (d2) [mm]	Head height (k) [mm]	Grip range (E) [mm]	Capacity Tensile / Shear [N]	Unit [pcs]
10610	SNT DH AAS-SPLIT 4.8 X 12	Ø4.8	12	max. Ø5.3	Ø9.5	1.5	2.0 - 6.0	1700 / 1700	500
10611	SNT DH AAS-SPLIT 4.8 X 14		14				4.0 - 8.0		250
10612	SNT DH AAS-SPLIT 4.8 X 16		16				6.0 - 9.5		
10613	SNT DH AAS-SPLIT 4.8 X 18		18				8.0 - 12.0		
15624	SNT DH AAS-SPLIT 4.8 X 20		20				12.0 - 14.0		
15625	SNT DH AAS-SPLIT 4.8 X 22		22				14.0 - 16.0		
10614	SNT DH AAS-SPLIT 4.8 X 25		25				16.0 - 19.0		
15626	SNT DH AAS-SPLIT 4.8 X 30		30				19.0 - 24.0		
10615	SNT DH AAS-SPLIT 4.8 X 35		35				24.0 - 29.0		
15627	SNT DH AAS-SPLIT 4.8 X 40		40				29.0 - 34.0		

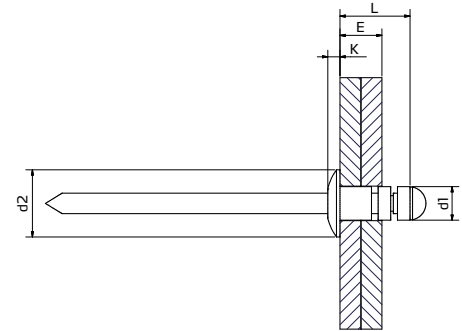
APPLICATION



OPEN ALU RIVET MULTIGRIP (STEEL MANDREL) - DOME HEAD

SNT DH AAS-MG

- Dome head for an aesthetic finish
- Multigrip rivets have a wider grip range than ordinary rivets
- Available in more than 500 colours (QUALICOAT certified powder)



PRODUCT RANGE

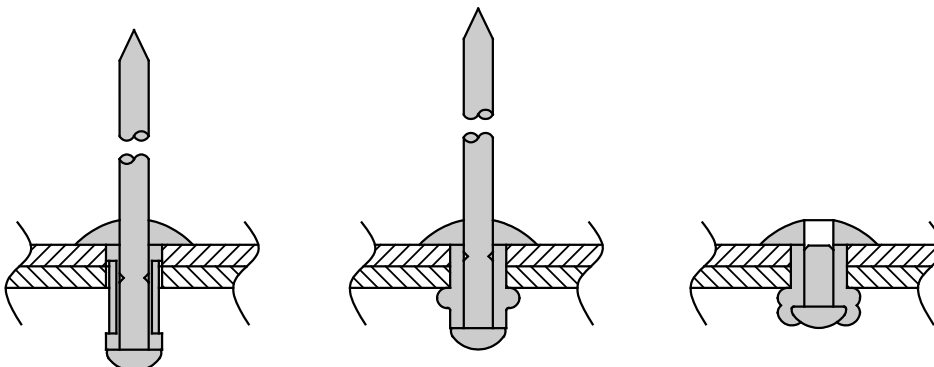
STEEL | ALU

MG:05 PG:1060 SNT DH AAS-MG



Art.no.	Item name	Diameter (d1) [mm]	Length (L) [mm]	Drill hole [mm]	Head diameter (d2) [mm]	Head height (k) [mm]	Grip range (E) [mm]	Capacity Tensile / Shear [N]	Unit [pcs]
10617	SNT DH AAS-MG 3.2X8	Ø3.2	8	Ø3.3	Ø6.0	1.3	1.0 - 5.0	980 / 680	1000
10616	SNT DH AAS-MG 3.2X12		12	Ø3.3	Ø6.0	1.3	4.5 - 9.0		
12367	SNT DH AAS-MG 4.0X9.5	Ø4.0	9.5	Ø4.1	Ø8.0	1.7	1.0 - 6.0	1600 / 1150	1000
10618	SNT DH AAS-MG 4.8X16	Ø4.8	16	Ø4.9	Ø9.5	2.0	6.0 - 11.0	2000 / 1320	1000
10619	SNT DH AAS-MG 4.8X24		24				12.5 - 19.5		500

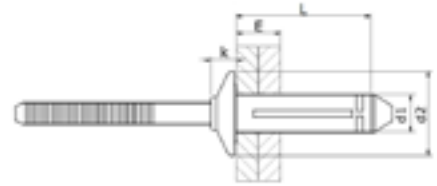
APPLICATION



OPEN ALU RIVET BT (ALU MANDREL) - DOME HEAD

SNT DH AAA-BT

- Dome head for an aesthetic finish
- The special folding allows for a better distribution of the clamping force, which is especially suited for applications with soft materials
- The grooved mandrel ensures a good grip during installation
- Supplied with washer for vibration absorbtion



PRODUCT RANGE

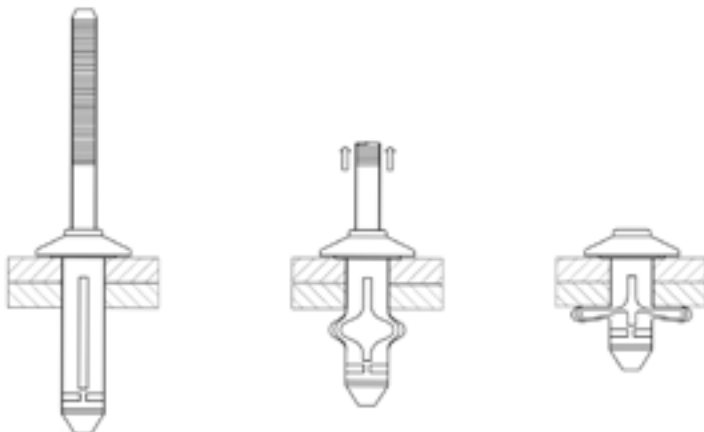


MG:05 PG:1075 SNT DH AAA-BT



Art.no.	Item name	Diameter (d1) [mm]	Length (L) [mm]	Drill hole [mm]	Head diameter (d2) [mm]	Head height (k) [mm]	Grip range (E) [mm]	Capacity Tensile / Shear [N]	Unit [pcs]
19125	SNT DH AAA-BT 5.2 X 17.5 EPDM	Ø5.2	17.5	Ø5.3 - Ø5.5	Ø11.6	3.4	1.3 - 4.8	1800 / 2700	250
19122	SNT DH AAA-BT 5.2 X 19.1 EPDM		19.1				1.6 - 6.4		
19123	SNT DH AAA-BT 5.2 X 22.2 EPDM		22.2				4.7 - 9.5		
19124	SNT DH AAA-BT 5.2 X 25.4 EPDM		25.4				7.9 - 12.7		

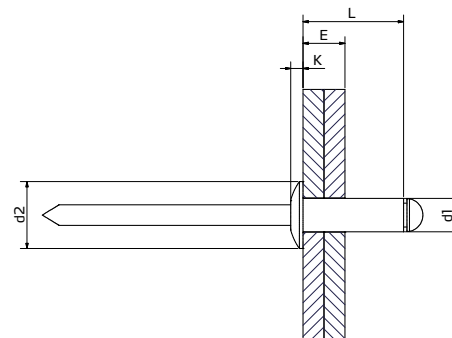
APPLICATION



OPEN ALU RIVET (STAINLESS MANDREL) - DOME HEAD

SNT DH AAX

- Dome head for an aesthetic finish
- Art.no. from 10622 to 18757 are available with standard colours (wet paint): Anthracite grey (RAL 7016), Black (RAL 9005) and white (RAL 9010)
- Available in more than 500 colours (QUALICOAT certified powder)



PRODUCT RANGE

STAINLESS | ALU

MG:05 PG:1080 SNT DH AAX

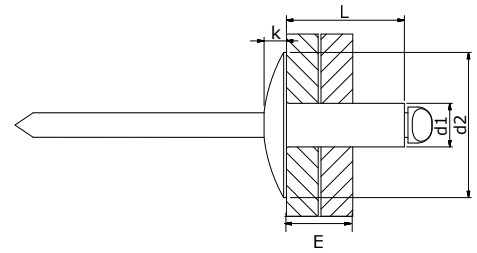


Art.no.	Item name	Diameter (d1) [mm]	Length (L) [mm]	Drill hole [mm]	Head diameter (d2) [mm]	Head height (k) [mm]	Grip range (E) [mm]	Capacity Tensile / Shear [N]	Unit [pcs]
18749	SNT DH AAX 3.2 X 8	Ø3.2	8	Ø3.3	Ø6.5	0.8	3.5 - 5.0	1100 / 750	500
10622	SNT DH AAX 3.2 X 10		10				5.0 - 7.0		
10623	SNT DH AAX 3.2 X 12		12				7.0 - 9.0		
18753	SNT DH AAX 4.0 X 8	Ø4.0	8	Ø4.1	Ø8.0	1.0	3.0 - 5.0	1800 / 1250	500
18755	SNT DH AAX 4.0 X 10		10				5.0 - 6.5		
18757	SNT DH AAX 4.0 X 12		12				6.5 - 8.5		
10621	SNT DH AAX 4.8 X 12	Ø4.8	12	Ø4.9	Ø9.5	1.1	6.0 - 8.0	2600 / 1850	500

OPEN ALU RIVET (STAINLESS MANDREL) - BIG HEAD

SNT DH AAX-BH

- Big head for better load distribution, which is an advantage for fastening of soft materials
- Big head rivet is good for applications with thermal movings
- Available in more than 500 colours (QUALICOAT certified powder)



PRODUCT RANGE



MG:05 PG:1090 SNT DH AAX-BH Ø14



Art.no.	Item name	Diameter (d1) [mm]	Length (L) [mm]	Drill hole [mm]	Head diameter (d2) [mm]	Head height (k) [mm]	Grip range (E) [mm]	Capacity Tensile / Shear [N]	Unit [pcs]
10624	SNT DH AAX-BH 5.0 X 18 Ø14	Ø5.0	18	Ø5.1	Ø14	2.5	8.0 - 14.0	3000 / 2000	200

MG:05 PG:1095 SNT DH AAX-BH Ø16



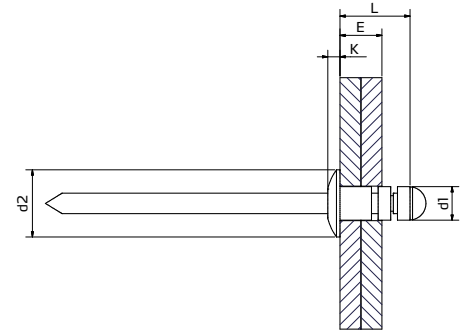
Art.no.	Item name	Diameter (d1) [mm]	Length (L) [mm]	Drill hole [mm]	Head diameter (d2) [mm]	Head height (k) [mm]	Grip range (E) [mm]	Capacity Tensile / Shear [N]	Unit [pcs]
15732	SNT DH AAX-BH 5.0 X 13 Ø16	Ø5.0	13	Ø5.1	Ø16	2.5	6.0 - 8.0	3000 / 2000	250
13541	SNT DH AAX-BH 5.0 X 18 Ø16		18				8.0 - 14.0		200
15607	SNT DH AAX-BH 5.0 X 23 Ø16		23				14.0 - 19.0		



OPEN ALU RIVET MULTIGRIP (STAINLESS MANDREL) - DH

SNT DH AAX-MG

- Dome head for an aesthetic finish
- Multigrip rivets have a wider grip range than ordinary rivets
- Available in more than 500 colours (QUALICOAT certified powder)



PRODUCT RANGE

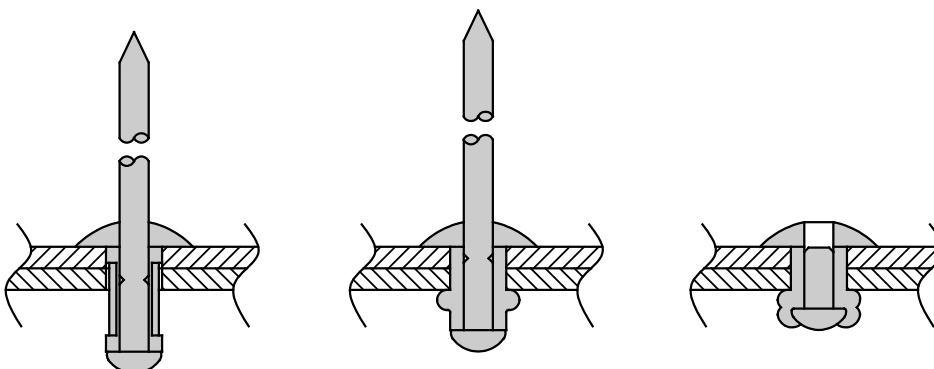


MG:05 PG:1155 SNT DH AAX-MG



Art.no.	Item name	Diameter (d1) [mm]	Length (L) [mm]	Drill hole [mm]	Head diameter (d2) [mm]	Head height (k) [mm]	Grip range (E) [mm]	Capacity Tensile / Shear [N]	Unit [pcs]
13577	SNT DH AAX-MG 4.0X12.7	Ø4.0	12.7	Ø4.1	Ø8.0	1.6	4.0 - 9.5	1600 / 1150	500

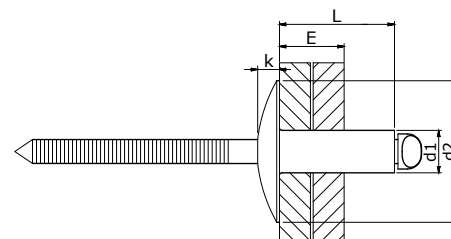
APPLICATION



OPEN STAINLESS RIVET (STAINLESS MANDREL) - BIG HEAD

SNT DH XAX-BH

- Big head for better load distribution, which is an advantage for fastening of soft materials
- Big head rivet is good for applications with thermal movings
- Grooved mandrel for better grip
- Available in more than 500 colours (QUALICOAT certified powder)



PRODUCT RANGE

STAINLESS | STAINLESS

MG:05 PG:1115 SNT DH XAX-BH

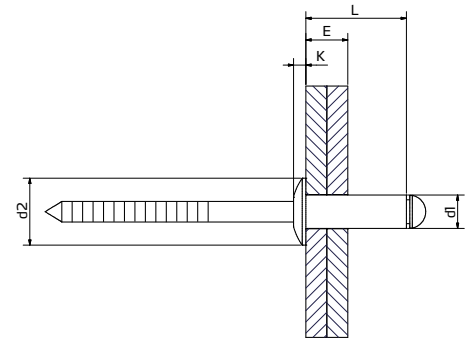


Art.no.	Item name	Diameter (d1) [mm]	Length (L) [mm]	Drill hole [mm]	Head diameter (d2) [mm]	Head height (k) [mm]	Grip range (E) [mm]	Capacity Tensile / Shear [N]	Unit [pcs]
20221	SNT DH XAX-BH 5.0 X 13 Ø16	Ø5.0	13	Ø5.1	Ø16.0	2.5	4.0 - 9.0	5800 / 4700	250
20165	SNT DH XAX-BH 5.0 X 18 Ø16		18				8.5 - 13.5		
20212	SNT DH XAX-BH 5.0 X 23 Ø16		23				13.0 - 18.0		

OPEN STAINLESS RIVET (STAINLESS MANDREL) - DOME HEAD

SNT DH XAX

- Dome head for an aesthetic finish
- Grooved mandrel for better grip
- Available in more than 500 colours (QUALICOAT certified powder)



PRODUCT RANGE



MG:05 PG:1120 SNT DH XAX



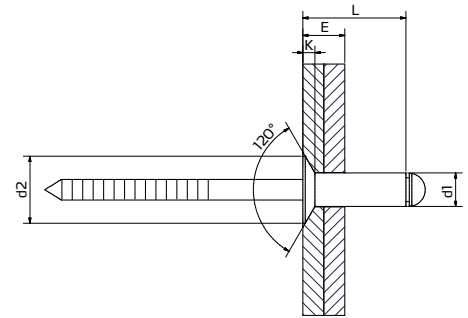
Art.no.	Item name	Diameter (d1) [mm]	Length (L) [mm]	Drill hole [mm]	Head diameter (d2) [mm]	Head height (k) [mm]	Grip range (E) [mm]	Capacity Tensile / Shear [N]	Unit [pcs]
16008	SNT DH XAX 3.2 X 6	Ø3.2	6	Ø3.3	Ø6.5	1.3	0.5 - 3.0	2360 / 1880	1000
10636	SNT DH XAX 3.2 X 8		8				3.0 - 5.0		
10637	SNT DH XAX 3.2 X 10		10				5.0 - 6.5		
10638	SNT DH XAX 3.2 X 12		12				6.5 - 8.5		
18729	SNT DH XAX 4.0 X 6	Ø4.0	6	Ø4.1	Ø8.0	1.7	1.0 - 2.5	3500 / 2700	1000
10641	SNT DH XAX 4.0 X 8		8				2.5 - 4.5		
10642	SNT DH XAX 4.0 X 10		10				4.5 - 6.5		
15630	SNT DH XAX 4.0 X 12		12				6.5 - 8.5		
15631	SNT DH XAX 4.0 X 14		14				8.5 - 10.0		500
14462	SNT DH XAX 4.8 X 8	Ø4.8	8	Ø4.9	Ø9.5	2.0	2.0 - 4.0	5000 / 4000	500
10645	SNT DH XAX 4.8 X 10		10				4.0 - 6.0		
10646	SNT DH XAX 4.8 X 12		12				6.0 - 8.0		
10647	SNT DH XAX 4.8 X 16		16				8.0 - 11.0		
10648	SNT DH XAX 4.8 X 18		18				11.0 - 13.0		
10649	SNT DH XAX 4.8 X 20		20				13.0 - 16.0		



OPEN STAINLESS RIVET (STAINLESS MANDREL) - CSH HEAD

SNT CSH XAX

- Countersunk version for 120° countersunk hole
- Grooved mandrel for better grip
- Available in more than 500 colours (QUALICOAT certified powder)



PRODUCT RANGE



MG:05 PG:1130 SNT CSH XAX



Art.no.	Item name	Diameter (d1) [mm]	Length (L) [mm]	Drill hole [mm]	Head diameter (d2) [mm]	Head height (k) [mm]	Grip range (E) [mm]	Capacity Tensile / Shear [N]	Unit [pcs]
10650	SNT CSH XAX 4.0 X 10	Ø4.0	10.0	Ø4.1	Ø7.5	1.7	4.5 - 6.5	3500 / 2700	1000
15632	SNT CSH XAX 4.0 X 12		12.0				6.5 - 8.5		500
10652	SNT CSH XAX 4.8 X 12	Ø4.8	12.0	Ø4.9	Ø9.0	2.0	6.0 - 8.0	5000 / 4000	500



CLOSED RIVETS

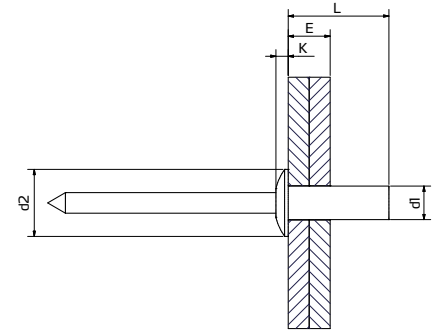
		Page
SNT DH ALS	- Closed alu rivet (steel mandrel) - dome head	165
SNT DH ALX	- Closed alu rivet (stainless mandrel) - dome head	166
SNT CSH XLX	- Closed stainless rivet (stainless mandrel) - dome head	167
SNT DH KLX	- Closed copper rivet (stainless mandrel) - dome head	168



CLOSED ALU RIVET (STEEL MANDREL) - DOME HEAD

SNT DH ALS

- Dome head for an aesthetic finish
- Water- and pressure-tight through the body of the rivet
- Available in more than 500 colours (QUALICOAT certified powder)



PRODUCT RANGE



MG:05 PG:1010 SNT DH ALS

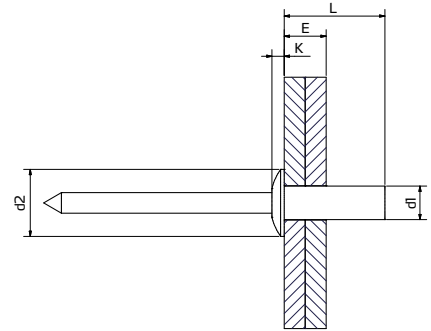


Art.no.	Item name	Diameter (d1) [mm]	Length (L) [mm]	Drill hole [mm]	Head diameter (d2) [mm]	Head height (k) [mm]	Grip range (E) [mm]	Capacity Tensile / Shear [N]	Unit [pcs]
20395	SNT DH ALS 3.2 X 6.5	Ø3.2	6.5	Ø3.3	Ø6.4	1.3	0.5 - 2.0	1450 / 1100	1000
10576	SNT DH ALS 3.2 X 8		8.0				2.0 - 3.5		
10577	SNT DH ALS 3.2 X 9.5		9.5				3.5 - 5.0		
10578	SNT DH ALS 3.2 X 11		11.0				5.0 - 6.5		
10579	SNT DH ALS 3.2 X 12.5		12.5				6.5 - 8.0		
12845	SNT DH ALS 4.0 X 8	Ø4.0	8.0	Ø4.1	Ø8.0	1.7	0.5 - 3.5	2200 / 1600	500
10580	SNT DH ALS 4.0 X 9.5		9.5				3.5 - 5.0		1000
10581	SNT DH ALS 4.0 X 11		11.0				5.0 - 6.5		500
10582	SNT DH ALS 4.0 X 12.5		12.5				6.5 - 8.0		500
12465	SNT DH ALS 4.8 X 8.5	Ø4.8	8.5	Ø4.9	Ø9.6	2.0	0.5 - 3.5	3100 / 2200	500
10583	SNT DH ALS 4.8 X 9.5		9.5				3.5 - 5.0		
10584	SNT DH ALS 4.8 X 11		11.0				5.0 - 6.5		
10585	SNT DH ALS 4.8 X 13		13.0				6.5 - 8.0		
10586	SNT DH ALS 4.8 X 14.5		14.5				8.0 - 9.5		
10587	SNT DH ALS 4.8 X 16.5		16.5				9.5 - 11.0		
10588	SNT DH ALS 4.8 X 18		18.0				11.0 - 13.0		
10589	SNT DH ALS 4.8 X 21		21.0				13.0 - 16.0		250

CLOSED ALU RIVET (STAINLESS MANDREL) - DOME HEAD

SNT DH ALX

- Dome head for an aesthetic finish
- Watertight and pressure sealant through the head of the rivet
- Available in more than 500 colours (QUALICOAT certified powder)



PRODUCT RANGE

 STAINLESS |  ALU

MG:05 PG:1020 SNT DH ALX

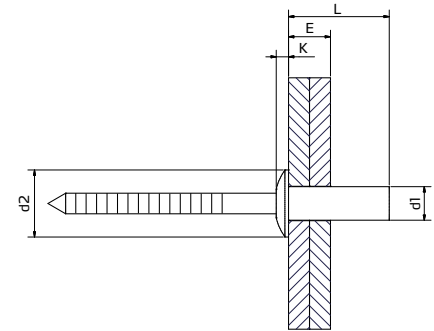


Art.no.	Item name	Diameter (d1) [mm]	Length (L) [mm]	Drill hole [mm]	Head diameter (d2) [mm]	Head height (k) [mm]	Grip range (E) [mm]	Capacity Tensile / Shear [N]	Unit [pcs]
10590	SNT DH ALX 3.2X9.5	Ø3.2	9.5	Ø3.3	Ø6.0	1.3	3.5 - 5.0	1240 / 1070	1000
10591	SNT DH ALX 3.2X12.5		12.5				6.5 - 8.0		
18122	SNT DH ALX 4.8X12.5	Ø4.8	12.5	Ø4.9	Ø9.5	2.0	6.0 - 7.5	3075 / 2200	500

CLOSED STAINLESS RIVET (STAINLESS MANDREL) - DOME HEAD

SNT DH XLX

- Dome head for an aesthetic finish
- Watertight and pressure sealant through the head of the rivet
- Grooved mandrel for better grip
- Available in more than 500 colours (QUALICOAT certified powder)



PRODUCT RANGE

 STAINLESS |
  STAINLESS

MG:05 PG:1110 SNT DH XLX

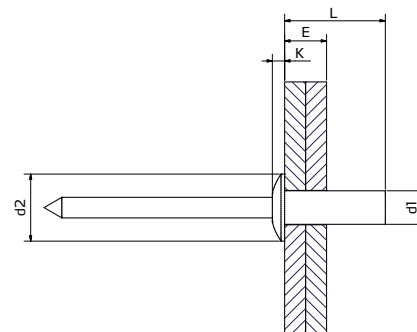


Art.no.	Item name	Diameter (d1) [mm]	Length (L) [mm]	Drill hole [mm]	Head diameter (d2) [mm]	Head height (k) [mm]	Grip range (E) [mm]	Capacity Tensile / Shear [N]	Unit [pcs]
10627	SNT DH XLX 3.2 X 8	Ø3.2	8.0	Ø3.3	Ø6.0	1.3	1.5 - 3.0	2200 / 2000	1000
10628	SNT DH XLX 3.2 X 10		10.0				3.0 - 5.0		
10629	SNT DH XLX 3.2 X 12		12.0				5.0 - 6.5		
10630	SNT DH XLX 4.0 X 10	Ø4.0	10.0	Ø4.1	Ø8.0	1.7	3.0 - 5.0	3500 / 3000	500
10631	SNT DH XLX 4.0 X 12		12.0				5.0 - 6.5		
10632	SNT DH XLX 4.8 X 10	Ø4.8	10.0	Ø4.9	Ø9.5	2.0	3.0 - 5.0	4400 / 4000	500
10633	SNT DH XLX 4.8 X 12		12.0				5.0 - 6.5		
10634	SNT DH XLX 4.8 X 16		16.0				6.5 - 9.0		
10635	SNT DH XLX 4.8 X 20		20.0				9.0 - 12.0		250

CLOSED COPPER RIVET (STAINLESS MANDREL) - DOME HEAD

SNT DH KLX

- Dome head for an aesthetic finish
- Watertight and pressure sealant through the head of the rivet
- Available in more than 500 colours (QUALICOAT certified powder)



 STAINLESS |  COPPER

PRODUCT RANGE

MG:05 PG:1100 SNT DH KLX



Art.no.	Item name	Diameter (d1) [mm]	Length (L) [mm]	Drill hole [mm]	Head diameter (d2) [mm]	Head height (k) [mm]	Grip range (E) [mm]	Capacity Tensile / Shear [N]	Unit [pcs]
16763	SNT DH KLX 3.2 X 8	Ø3.2	8.0	Ø3.3	Ø6.0	1.3	2.0 - 3.5	1250 / 980	1000
14845	SNT DH KLX 3.2 X 9.5		9.5				3.5 - 5.0		
10625	SNT DH KLX 4.0 X 8	Ø4.0	8.0	Ø4.1	Ø8.0	1.7	0.5 - 3.0	2000 / 1350	500
10626	SNT DH KLX 4.0 X 10		10.0				3.0 - 5.0		

SPECIAL RIVETS

SNT RUB PH

- Rubber rivet (stainless screw)

Page

170



RUBBER RIVET (STAINLESS SCREW)

SNT RUB PH

- Very good sealing abilities
- Ø16 mm washer
- With stainless metrical screw (Pan head)
- For use in brittle, fragile or soft materials like plastics, glass and glass fibre

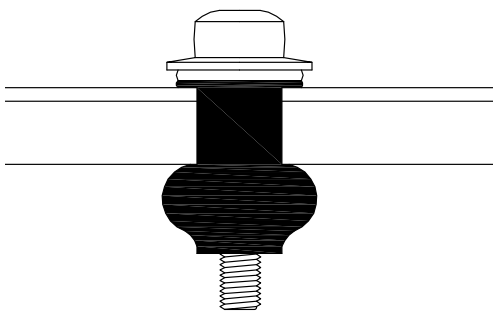
PRODUCT RANGE



MG:05 PG:1200 SNT RUB PH

Art.no.	Item name	Washer [mm]	Diameter [mm]	Length [mm]	Drill hole [mm]	Grip range [mm]	Unit [pcs]
10685	SNT RUB PH 9.5 x 25 TX25 RX-16	Ø16	Ø9.5	25	Ø10	7.9 - 15.0	100
13251	SNT RUB PH 9.5 x 39 TX25 RX-16			39		20.0 - 30.0	

APPLICATION



ASTON
SWEDEN

ASTON SWEDEN AB
Hangarvägen 23
691 35 Karlskoga
Sweden

Tel +46 586 21 66 00

info@astonsweden.com
www.astonsweden.com